

Edge Filters For UV & IR

Edge Filter for UV & IR

UV & IR cut filters block troublesome UV/ VIS or NIR light. They are robust, cost-effective and insensitive to angle of incidence. Additional to their filter function they are also a protective window in imaging systems.

IR pass filters are long pass filters, transmitting only IR light. The Cut-on wavelength is defined at 50% transmittance of maximum. IR filters are absorptive filters that are used in front of a NIR sensor or an image sensor for NIR imaging. Passes needed IR spectrum only.

Edge filters are available unmounted in sizes from 10 mm to 74 mm diameter and mounted with common thread sizes M 25.5 to M 67.

We offer several AR coating options, depending on filter type.

Call us to discuss your OEM and custom requirements.



Key Features

- Unmounted in sizes 10 mm to 74 mm diameter.
- Mounted with common thread sizes M 25.5 to M 67 available
- AR coated and uncoated versions available
- Pass Wavelength Range:
 - UV cut: > 365 nm +/- 10 nm
 - UV-IR cut: 390 +/-15 nm to 690 +/- 20 nm
 - IR cut: T= 50% @ 750 nm
 - IR pass: cut-on wavelength 695 to 980 nm +/-10nm

Applications

- Scientific Research
- QA
- Landscaping
- Protective Windows
- Traffic (IR pass)
- Solar
- NIR Imaging (IR pass)
- Night Vision (IR pass)

Technical Specifications

Filter type	UV cut IF 010, UV/IR cut IF 486, IR cut Filter IF 489, IR pass IF 092, IF098, IF 093
Surface ¹	5/2 × 0.16
Wave front distortion ¹	13/1 (0.5)
Parallelism	1 arc minute
Diameter tolerance	+0 - 0.3 mm
Thickness	2.0 ± 0.2 mm

¹ Specification according to ISO 10110

Contact

Jos. Schneider Optische Werke GmbH
 Ringstraße 132
 55543 Bad Kreuznach
 Germany
 Phone +49 671 601-351
 Fax +49 671 601-181-351
www.schneiderkreuznach.com/industrialoptics
industrie@schneiderkreuznach.com

Schneider Asia Pacific Ltd.
 20/F Central Tower, 28 Queen's Road
 Central, Hong Kong
 China
 Phone +852 8302 0301
 Fax +852 8302 4722
www.schneider-asiapacific.com
info@schneider-asiapacific.com

Schneider Optics Inc.
 285 Oser Ave.
 Hauppauge, NY 11788
 USA
 Phone +1 631 761-5000
 Fax +1 631 761-5090
www.schneideroptics.com
oem@schneideroptics.com

UV Cut Filter (IF 010)

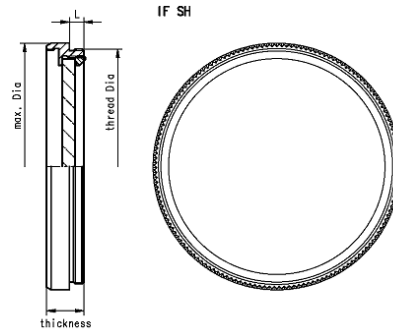
IF 010 UV cut Filter

UV cut filters block troublesome UV light. They are robust, cost-effective and insensitive to angle of incidence. Additional to their filter function they are also a protective window in imaging systems.

UV cut filters are available unmounted in sizes from 10 mm to 74 mm diameter and as mounted filters with common thread sizes M 25.5 to M 67.

Available with AR coating options: broadband coating (E) or multi resistance coating (MRC).

Call us to discuss your OEM and custom requirements.



Key Features

- Unmounted 10 mm to 74 mm diameter.
- Mounted with common thread sizes M 25.5 to M 67 available
- AR coating options: broadband (E) or multi resistance (MRC)
- Pass Wavelength Range: UV cut: > 365 nm +/- 10 nm

Applications

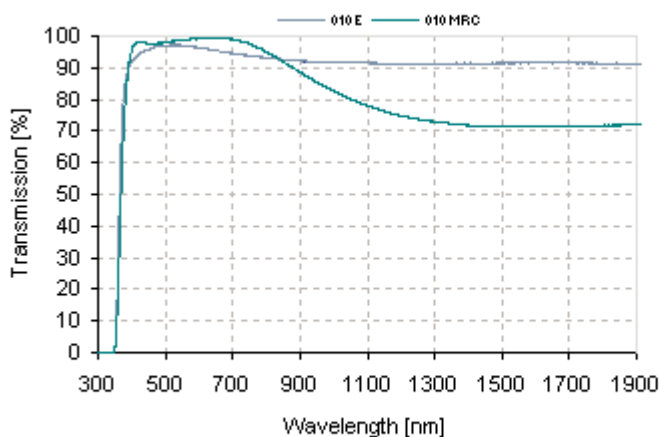
- Scientific Research
- QA
- Landscaping
- Protective Windows

Technical Specifications

Filter type	IF 010		
Cut-on wavelength	> 365 nm	Wave front distortion ¹	13/1 (0.5)
Wavelength tolerance	± 10 nm	Parallelism	1 arc minute
Peak transmittance	> 90 %	Diameter	10 - 74 mm
Blocking	< 1 %	Diameter tolerance	+0 - 0.3 mm
Surface ¹	5/2 × 0.16	Thickness	2.0 ± 0.2 mm

¹ Specification according to ISO 10110

UV Cut Filter 010



UV-IR Cut Filter (IF 486)

IF 486 UV-IR cut Filter

UV-IR cut filters transmit only VIS spectrum and block all troublesome UV and IR light. They are robust, cost-effective and sensitive to angle of incidence. Additional to their filter function they are also a protective window in imaging systems.

UV-IR cut filters are available unmounted in sizes from 10 mm to 74 mm diameter and mounted with common thread sizes M 25.5 to M 67.

The filters come with our superior broadband multilayer resistant AR coating MRC.

Call us to discuss your OEM and custom requirements.



Key Features

- Unmounted 10 mm to 74 mm diameter.
- Mounted with common thread sizes M 25.5 to M 67 available
- MRC coated
- Pass Wavelength Range:
UV-IR cut: 390 nm +/- 15 nm to 690 nm +/- 20 nm

Applications

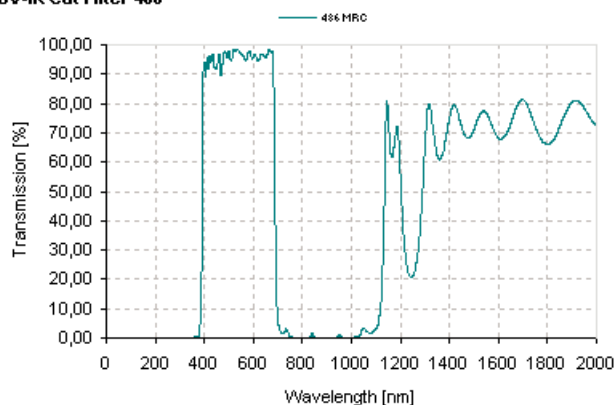
- Scientific Research
- QA
- Protective Windows

Technical Specifications

Filter type	IF 486		
Wavelength range	390 - 690 nm	Wave front distortion ¹	13/1 (0.5)
Wavelength tolerance	± 10 nm	Parallelism	1 arc minute
Peak transmittance	> 90 %	Diameter	10 - 74 mm
Blocking	< 1 % (300 - 375 & 750 - 1035 nm)	Diameter tolerance	+0 - 0.3 mm
Surface ¹	5/2 × 0.16	Thickness	2.0 ± 0.2 mm

¹ Specification according to ISO 10110

UV-IR Cut Filter 486



IR Cut Filter (IF 489)

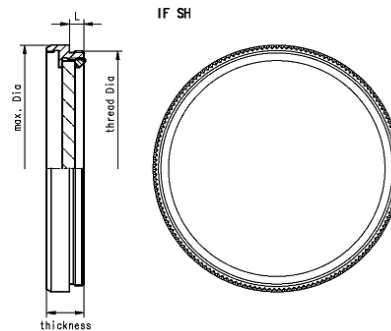
IF 486 IR cut Filter

IR cut filters block all troublesome IR light. They are robust, cost-effective and insensitive to angle of incidence. Additional to their filter function they are also a protective window in imaging systems.

IR cut filters are available unmounted in sizes from 10 mm to 74 mm diameter and mounted with common thread sizes M 25.5 to M 67.

The filters come with broadband AR coating E or our superior broadband multilayer resistant anti reflection coating MRC.

Call us to discuss your OEM and custom requirements.



Key Features

- Unmounted 10 mm to 74 mm diameter.
- Mounted with common thread sizes M 25.5 to M 67 available
- AR coating options: broadband (E) or multi resistance (MRC)
- Pass Wavelength Range: IR cut: T= 50 % @ 750 nm

Applications

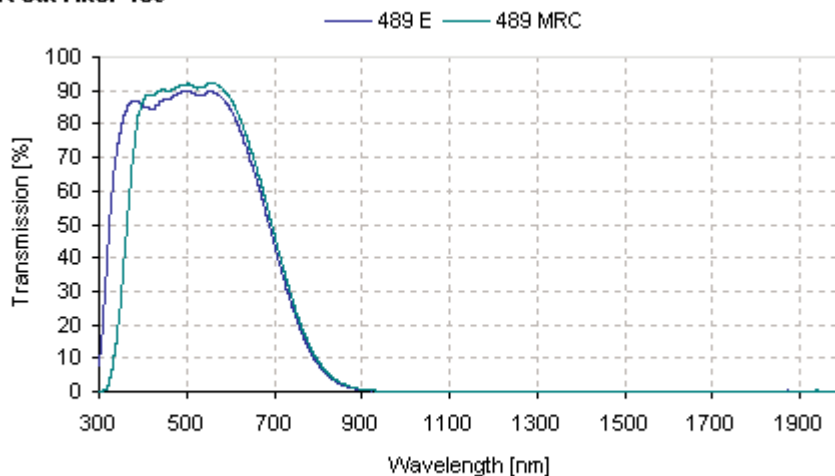
- Scientific Research
- QA
- Protective Windows

Technical Specifications

Filter type	IF 489		
Cut-off wavelength	< 750 nm	Wave front distortion ¹	13/1 (0.5)
Wavelength tolerance	± 10 nm	Parallelism	1 arc minute
Peak transmittance	> 90 %	Diameter	10 - 74 mm
Blocking	< 1 %	Diameter tolerance	+0 - 0.3 mm
Surface ¹	5/2 × 0.16	Thickness	2.0 ± 0.2 mm

¹ Specification according to ISO 10110

IR Cut Filter 489



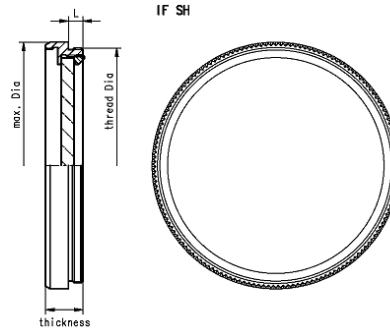
IR Pass Filter (IF 092, IF 098, IF 093)

Infrared (IR) Filters

IR filters are long pass filters, transmitting wavelength higher than 695 nm. The cut-on wavelength is defined at 50% transmittance of maximum. IR filters are absorptive filters that are used in front of a NIR sensor or an image sensor, for NIR imaging. Passes needed IR spectrum only.

IR filters are available unmounted in sizes 10 mm to 74 mm diameter and mounted with common thread sizes M 25.5 to M 67. Available uncoated and with your superior NIR multi resistance AR Coating, special designed to reduce reflects in NIR spectrum.

Call us to discuss your OEM and custom requirements.



Key Features

- Unmounted 10 mm to 74 mm diameter.
- Mounted with common thread sizes M 25.5 to M 67 available
- MRCIR coated (up to 74 mm diameter) and uncoated versions available
- Insensitive to angle of incidence
- Large CA, absence of vignetting
- Passes IR spectrum only
- Block UV and VIS spectrum

Applications

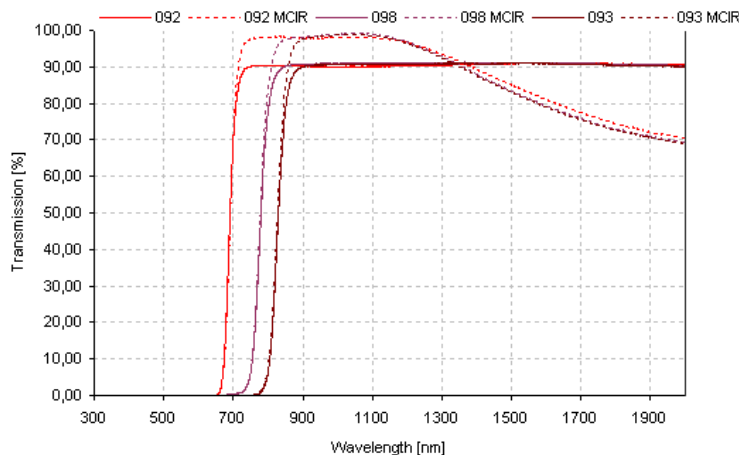
- Traffic
- Night Vision
- Solar
- NIR Imaging

Technical Specifications

Filter type:	IF 092	IF 098	IF 093		
Cut-on wavelength	695 nm	775 nm	825 nm	Wave front distortion ¹	13/1 (0.5)
Wavelength tolerance	± 10 nm			Parallelism	1 arc minute
Peak transmittance	> 90%			Diameter	10 - 74 mm
Blocking	< 1%			Diameter tolerance	+0 - 0.3 mm
Surface ¹	5/2 × 0.16			Thickness	2.0 ± 0.2 mm

¹ Specification according to ISO 10110

IR Filter IF 093 098 093



Order Instructions:																										
Mounted filter:	IF																									
Unmounted filter glass:	IFG																									
Type:	010 UV Cut 486 UV-IR Cut 489 IR Cut 092, 098, 093 IR Pass																									
Coating:	E (broadband coating) - not for IF489 MRC (multi resistant coating) - not for IF09x																									
Mount:	MCIR (MRC for NIR) - only for IF 09x SH (standard M- thread mounts) SN-1 (only for 30.5mm)																									
Size:	CMT (C-mount) Thread of mount for mounted filters (IF) or Diameter in mm for unmounted glass (IFG)																									
Examples:	<table border="1"> <thead> <tr> <th>IFx</th> <th>type</th> <th>coating</th> <th>mount</th> <th>size</th> </tr> </thead> <tbody> <tr> <td>IF</td> <td>489</td> <td>MRC</td> <td>SH</td> <td>25.5</td> </tr> <tr> <td>Mounted filter,</td> <td>IR-cut,</td> <td>MRC coated,</td> <td>thread size</td> <td>M25.5</td> </tr> <tr> <td>IFG</td> <td>010</td> <td>E</td> <td></td> <td>30.0</td> </tr> <tr> <td>Unmounted filter, UV-cut</td> <td></td> <td>E coated,</td> <td></td> <td>diameter 30.0mm</td> </tr> </tbody> </table>	IFx	type	coating	mount	size	IF	489	MRC	SH	25.5	Mounted filter,	IR-cut,	MRC coated,	thread size	M25.5	IFG	010	E		30.0	Unmounted filter, UV-cut		E coated,		diameter 30.0mm
IFx	type	coating	mount	size																						
IF	489	MRC	SH	25.5																						
Mounted filter,	IR-cut,	MRC coated,	thread size	M25.5																						
IFG	010	E		30.0																						
Unmounted filter, UV-cut		E coated,		diameter 30.0mm																						

Standard Filters			
Part Number	Filter Description	Part Number	Filter Description
1001900	IF 010 E SH 25.5	1001897	IF 010 E SH 43.0
1001899	IF 010 E SH 27.0	1001896	IF 010 E SH 49.0
1007002	IF 010 E SN1 30.5	1001894	IF 010 E SH 52.0
1003042	IF 010 E SH 34.0	1006986	IF 010 E SH 55.0
1005746	IF 010 E SH 35.5	1001863	IF 010 E SH 58.0
1005747	IF 010 E SH 37.0	1008931	IF 010 E SH 62.0
1001898	IF 010 E SH 40.5	1001842	IF 010 E SH 67.0
1053797	IFG 010 E 026.0	1053798	IFG 010 E 046.0

1003044	IF 486 MRC SH 025.5	1009104	IF 486 MRC SH 046.0
1006004	IF 486 MRC SN1 030.5	1006974	IF 486 MRC SH 049.0
1006972	IF 486 MRC SH 035.5	1006320	IF 486 MRC SH 052.0
1006973	IF 486 MRC SH 037.0	1011907	IF 486 MRC SH 055.0
1019704	IF 486 MRC SH 039.0	1011908	IF 486 MRC SH 058.0
1001902	IF 486 MRC SH 040.5	1019192	IF 486 MRC SH 062.0
1005748	IF 486 MRC SH 043.0	1053784	IF 486 MRC SH 067.0

1006975	IF 489 E SH 025.5	1011904	IF 489 E SH 046.0
1006976	IF 489 E SH 027.0	1007828	IF 489 E SH 049.0
1009034	IF 489 E SN1 030.5	1006979	IF 489 E SH 055.0
1006978	IF 489 E SH 037.0	1011906	IF 489 E SH 058.0
1019705	IF 489 E SH 039.0	1019706	IF 489 E SH 062.0
1011903	IF 489 E SH 043.0	1053787	IF 489 E SH 067.0
1007162	IFG 489 E 050.0 050.0		

Other mounts and as unmounted versions from 8 - 117 mm diameter on request available.
Call us for OEM and custom requirements.

Jos. Schneider Optische Werke GmbH, Ringstraße 132, 55543 Bad Kreuznach, Germany | Phone +49 671 601-351 Fax +49 671 601-181-351 industrie@schneiderkreuznach.com
Jos. Schneider Optische Werke GmbH is certified ISO 9001. We accept no responsibility for any errors and reserve the right of modification without further notice.

More Standard Filters

Part Number	Filter Description	Part Number	Filter Description
1003043	IF 092 SH 025.5	1006317	IF 092 SH 055.0
1001905	IF 092 SH 027.0	1009451	IF 092 SH 058.0
1006003	IF 092 SN1030.5	1053782	IF 092 SH 062.0
1007825	IF 092 SH 037.0	1007764	IF 092 SH 067.0
1001906	IF 092 SH 040.5	1010766	IF 092 CMT
1053780	IF 092 SH 043.0	1057442	IF 092 MCIR SH 025.5
1009450	IF 092 SH 046.0	1057443	IF 092 MCIR SH 027.0
1007826	IF 092 SH 049.0	1057444	IF 092 MCIR SN1 030.5
1053781	IF 092 SH 052.0	1056141	IF 092 MCIR SH 043.0

1001907	IF 093 SH 025.5	1006319	IF 093 SH 055.0
1001909	IF 093 SN1030.5	1011929	IF 093 SH 058.0
1053776	IF 093 SH 039.0	1053778	IF 093 SH 067.0
1006981	IF 093 SH 043.0	1010765	IF 093 CMT
1001921	IF 093 SH 046.0	1057446	IF 093 MCIR SH 025.5
1007827	IF 093 SH 049.0	1057447	IF 093 MCIR SH 027.0
1006318	IF 093 SH 052.0	1057448	IF 093 MCIR SN1 030.5

1006415	IF 098 SH 025.5	1017251	IF 098 SH 058.0
1057007	IF 098 SH 035.5	1053773	IF 098 SH 062.0
1053771	IF 098 SH 037.0	1053775	IF 098 SH 067.0
1004074	IF 098 SH 040.5	1006982	IF 098 SN1 030.5
1011653	IF 098 SH 043.0	1010767	IF 098 CMT
1005531	IF 098 SH 046.0	1057449	IF 098 MCIR SH 025.5
1009103	IF 098 SH 049.0	1057450	IF 098 MCIR SH 027.0
1053424	IF 098 SH 052.0	1057451	IF 098 MCIR SN1 030.5
1053772	IF 098 SH 055.0		

Other mounts and as unmounted versions from 8 – 117 mm diameter on request available.
Call us for OEM and custom requirements.